

Prefilters and Inline filters

Prefilters

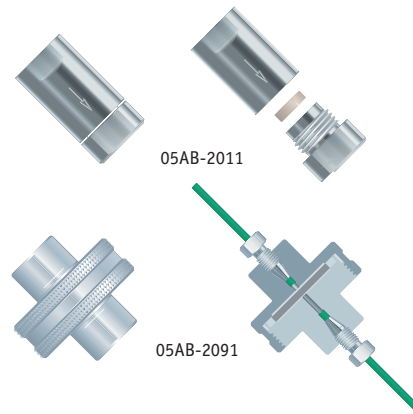
- Placed between injection valve and HPLC column protects the column from particles originating in the sample and from valve seal wear.
- Stainless steel Prefilters, pressure rated to 9,000 psi
- Biocompatible PEEK polymer versions pressure rated to 5,000 psi
- Choose either the 0.5µm or 2µm version to filter particulates from flow path.
- Ultra-Low Volume version has lowest swept volumes (0.61µL), ensuring maximum protection with no band broadening with pressure rated to 9,000 psi



Ordering Information		
Description	QTY	Part No.
Prefilters		
2µm Prefilter, SS Frit	1	05AB-1011
0.5µm Prefilter, SS Frit	1	05AB-1021
2µm Prefilter, PEEK Frit	1	05AB-1031
0.5µm Prefilter, PEEK Frit	1	05AB-1041
0.5µm Ultra-Low Volume Prefilter, SS Frit	1	05AB-1051
2µm Replacement Frits, SS	10	05AB-1067
0.5µm Replacement Frits, SS	10	05AB-1077
2µm Replacement Frit, PEEK	1	05AB-1081
0.5µm Replacement Frit, PEEK	1	05AB-1091

Inline Filters

- Placed between the pump and sample injection valve protects valve seal wear and column from particles released through normal piston seal wear.
- Uses a 2µm stainless steel frit with a PEEK ring.
- Analytical Inline Filters, pressure rated to 8,500 psi and use a 2µm stainless steel frit.
- Semi-Prep Inline Filters, pressure rated to 7,500 psi and is designed for use with standard 10-32 coned fittings and 1/16" OD tubing.
- Inlet and outlet connections are compatible with Upchurch, Swagelok, or Parker.
- All materials are type 316 stainless steel and PEEK.



Ordering Information		
Description	QTY	Part No.
Analytical Inline Filters		
20µm Analytical Inline Filter, SS Frit	1	05AB-2011
2µm Analytical Inline Filter, SS Frit	1	05AB-2021
2µm Analytical Inline Filter, PEEK Frit	1	05AB-2031
0.5µm Analytical Inline Filter, PEEK Frit	1	05AB-2041
20µm Replacement Frit, SS	1	05AB-2051
2µm Replacement Frit, SS	10	05AB-2067
2µm Replacement Frit, PEEK	10	05AB-2077
0.5µm Replacement Frit, PEEK	10	05AB-2087
Semi-Prep Inline Filters		
10µm Semi-Prep Inline Filter, SS Frit	1	05AB-2091
2µm Semi-Prep Inline Filter, PEEK Frit	1	05AB-2101
10µm Semi-Prep Inline Filter, PEEK Frit	1	05AB-2111
5µm Semi-Prep Inline Filter, PEEK Frit	1	05AB-2121
10µm Replacement Frit, SS	10	05AB-2137
2µm Replacement Frit, PEEK	1	05AB-2141
10µm Replacement Frit, PEEK	1	05AB-2151
5µm Replacement Frit, PEEK	1	05AB-2161